



RPG08 AEROSPACE PRESSURE TRANSDUCER

> 0 ÷ 100mV Output

> 0.5 ÷ 4.5V Output

> 4 ÷ 20mA Output

- High Natural Frequencies
- Long Term Stability And Reliability At High Temperatures Up to 150°C
- Leakproof, All Welded Construction
- Passed Extensive Environmental Tests
- Fully Titanium/Fully Stainless Steel Construction
- MIL-C-38999 Series III fully compliant SNC157 Connector



| Specifications | 0 ÷ 100mV | 0.5 ÷ 4.5V | 4 ÷ 20mA |
|---|---|------------|----------|
| Power Supply | 10VDC ± 1.5 | 27VDC ± 14 | 24VDC |
| Power Consumption | ≤ 120mW | ≤ 220mW | ≤ 360mW |
| Recommended Load | ≥ 40kΩ | ≥ 2kΩ | N/A |
| Operating Temperature Range | T1: -40 to 85°C / T2: -40 to 125°C / T3: -60 to 150°C | | |
| Weight | 0.085kg (Min.) to 0.145kg (Max.) | | |
| Case Outline | Case Length may vary with Range, Measuring Mode, Pressure Port and Connector | | |
| Construction Materials | Fully Titanium/Fully Stainless Steel | | |
| Pressure Range | 0...0.16 to 0...60MPa | | |
| Proof Pressure | 2.5 Times of FS for 0.16 to 16MPa / 1.5 Times of FS for 0.6 to 6MPa / 1.5 Times of FS for 10 to 25MPa / 1.25 Times of FS for 40 to 60MPa | | |
| Burst Pressure | 5 Times of FS for 0.16 to 16MPa / 5 Times of FS for 0.6 to 6MPa / 3 Times of FS for 10 to 25MPa / 2 Times of FS for 40 to 60MPa | | |
| Current Leak | 5μA/50VDC | | |
| Mounting Torque | 20 N·m | | |
| Total Error Band | Includes Linearity, Hysteresis, Repeatability, Vibration Effects and Mounting Error, Thermal Errors Within the Compensated Temperature Range, as well as Normalization Errors of Zero and Full Scale. (See Fig. 1 and Fig. 2 for Typical Cases) | | |
| Response Time | 2 to 200 msec. | | |
| Accuracy | Up to 0.1% of FS | | |
| MTBF | At least 12,000 Hours | | |
| Temperature | -60 to 150°C | | |
| Storage Temperature Range (Non Operating) | -55 to 85°C | | |
| Altitude-Operating | Unlimited | | |
| Media Compatibility | It is possible to use transducers in either neutral or aggressive media provided that transducer body is resistant to that media. | | |
| Humidity | 100% | | |
| Sine Vibration | 30g Peak, 2 to 2,000 Hz | | |
| Mechanical Shock | 15g, 15 msec. Duration | | |
| Electromagnetic Interference | According to Operational and Environmental Conditions for Aircraft Equipment (KT-160D) | | |

Note: Custom pressure ranges, accuracies and mechanical configurations available.
Continuous development and refinement of our products may result in specification changes without notice – all dimensions nominal.

TOTAL ERROR BAND

Fig. 1

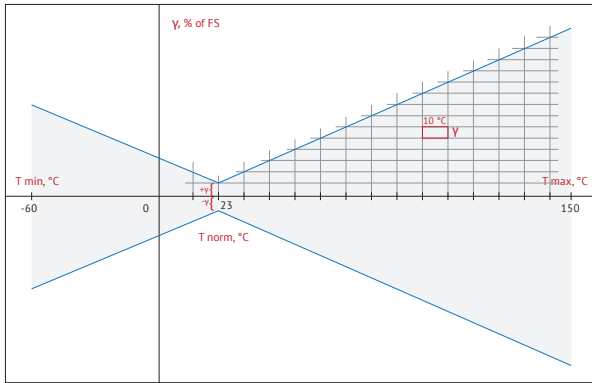
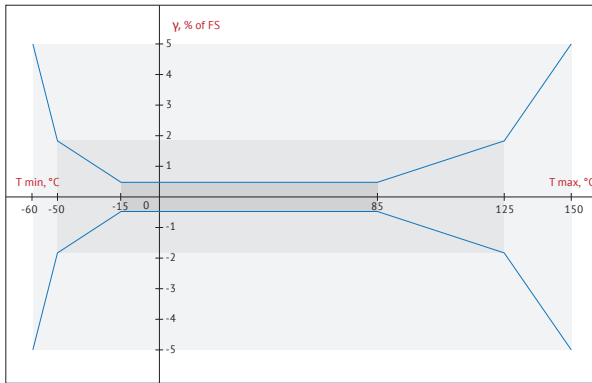
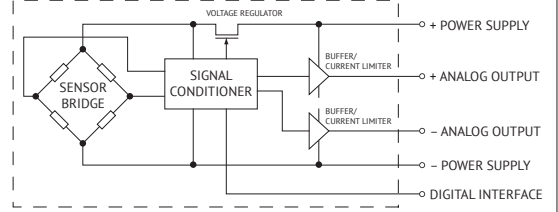


Fig. 2

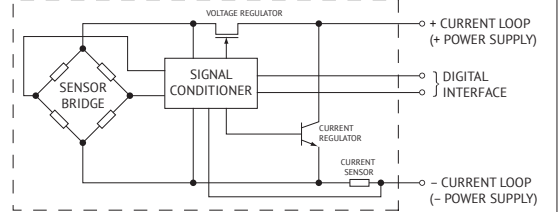


WIRING

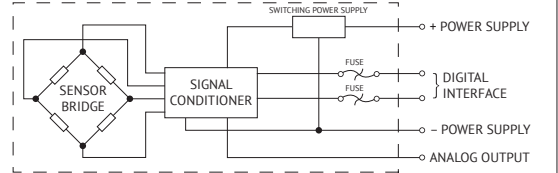
0 ± 100mV OUTPUT



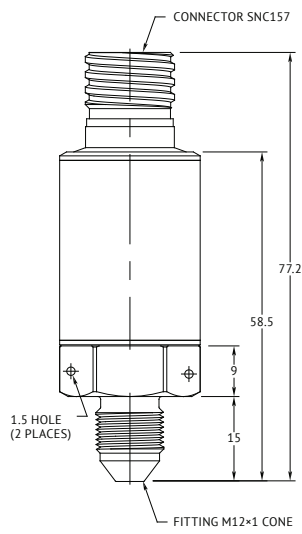
4 ± 20mA OUTPUT



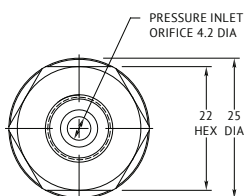
0.5 ± 4.5VDC OUTPUT



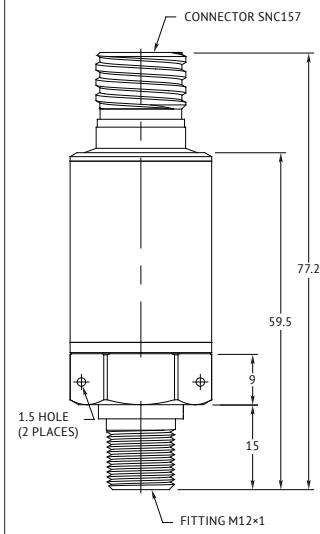
RPG08 TYPICAL



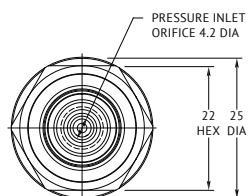
ABSOLUTE, SEALED GAGE



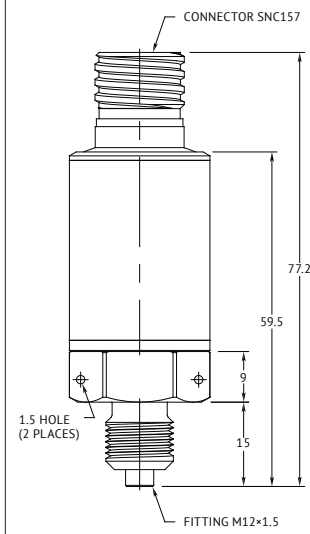
RPG08 TYPICAL



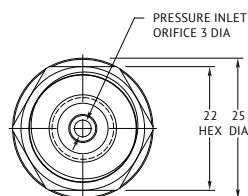
ABSOLUTE, SEALED GAGE



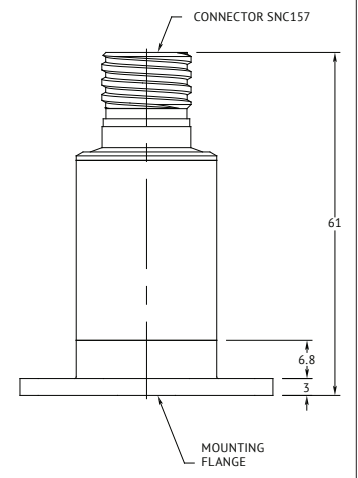
RPG08 TYPICAL



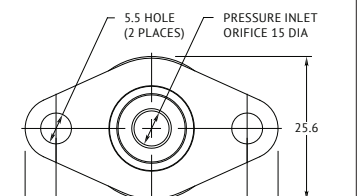
ABSOLUTE, SEALED GAGE



RPG08 TYPICAL



ABSOLUTE, SEALED GAGE



All dimensions are in millimeters.

Note: Custom pressure ranges, accuracies and mechanical configurations available.

Continuous development and refinement of our products may result in specification changes without notice – all dimensions nominal.