



RAPRIZ PRESSURE SENSOR
FOR AEROSPACE USE

Output signals:

» $0 \div 100 \text{ mV}$

» $0,5 \div 4,5 \text{ V}$

- High Natural Frequencies
- Long Term Stability And Reliability At High Temperatures
Up to 150°C
- Leakproof, All Welded Construction
- Passed Extensive Environmental Tests
- Fully Stainless Steel Construction
- MIL-C-38999 Series III fully compliant SNC157 Connector

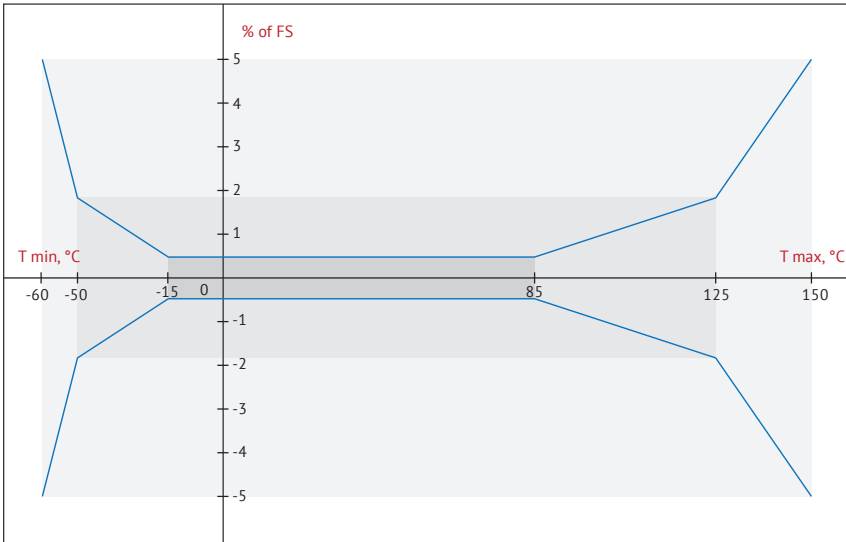


Specifications	$0 \div 100\text{mV}$	$0.5 \div 4.5\text{V}$
Power Supply	10VDC \pm 1.5	27VDC \pm 14
Power Consumption	\leq 120mW	\leq 220mW
Recomended Load	\geq 40k Ω	\geq 2k Ω
Operating Temperature Range	T3: -60 to 150°C	
Weight	0.085kg (Min.) to 0.145kg (Max.)	
Case Outline	See the drawing on page 2	
Construction Materials	Fully Stainless Steel	
Pressure Range	0...0.16 to 0...60MPa	
Proof Pressure	1.5 Times of FS	
Burst Pressure	5 Times of FS for 0.16 to 16MPa / 5 Times of FS for 0.6 to 6MPa/ 3 Times of FS for 10 to 25MPa	
Current Leak	5 μ A/50VDC	
Mounting Torque	20N·m	
Total Error Band	Includes Linearity, Hysteresis, Repeatability, Vibration Effects and Mounting Error, Thermal Errors Within the Compensated Temperature Range, as well as Normalization Errors of Zero and Full Scale. (See Fig. 1 on page 2)	
Response Time	2 to 200 msec.	
Accuracy	0,5 to 0.1% of FS (See Fig. 1 on page 2)	
MTBF	At least 12,000 Hours	
Storage Temperature Range (Non Operating)	-55 to 85°C	
Altitude-Operating	Unlimited	
Media Compatibility	It is possible to use transducers in either neutral or agressive media provided that transducer body is resistant to that media.	
Humidity	100 %	
Sine Vibration	30g Peak, 2 to 2,000 Hz	
Mechanical Shock	15g, 15 msec. Duration	
Electromagnetic Interference	According to Operational and Environmental Conditions for Aircraft Equipment (KT-160D)	

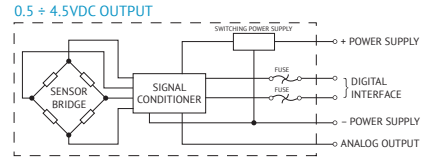
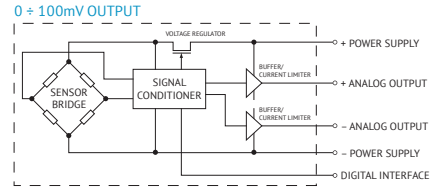
Note: Custom pressure ranges, accuracies and mechanical configurations available.
Continuous development and refinement of our products may result in specification changes without notice – all dimensions nominal.

TOTAL ERROR BAND, γ (%)

Fig. 1

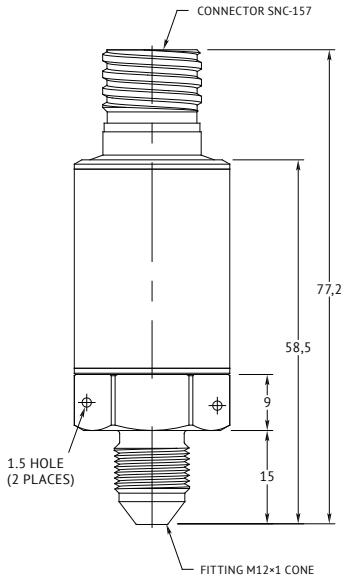


WIRING

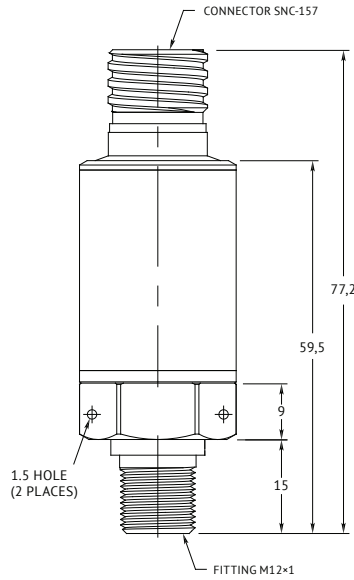
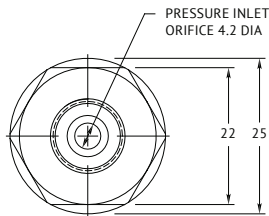


RAPRIZ
Absolute, sealed gauge

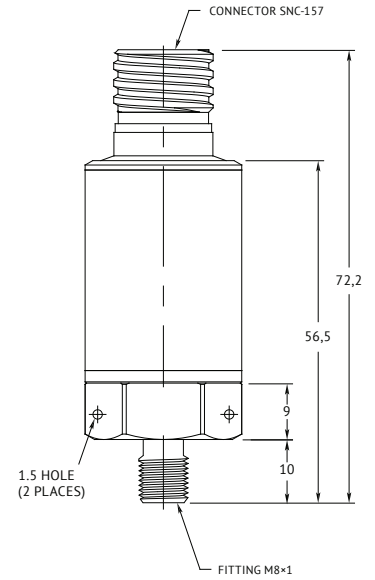
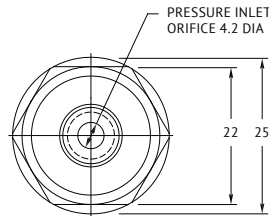
Typical



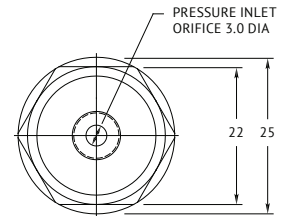
GOST 19125-90



GOST 19125-90



GOST 19530-74



All dimensions are in millimeters.

Note: Custom pressure ranges, accuracies and mechanical configurations available.

Continuous development and refinement of our products may result in specification changes without notice – all dimensions nominal.